

**Features:**

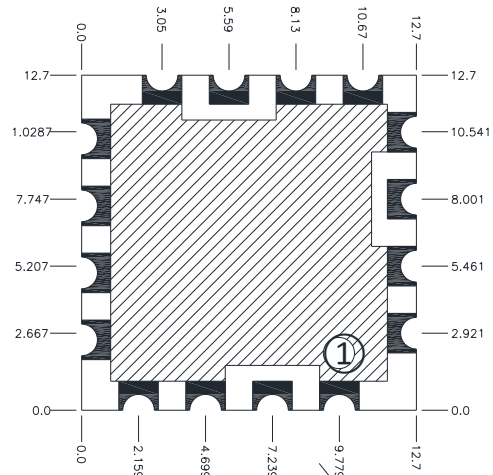
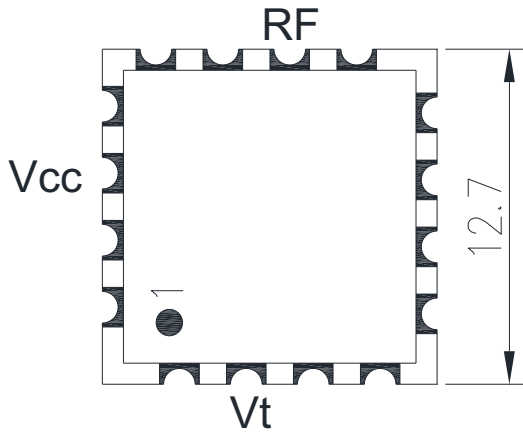
- Hybrid Integrated Circuit
- Surface Mounted Device Type
- Shield Case : Nickel Silver
- 16PIN Type



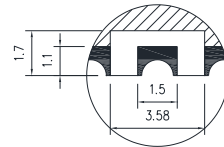
**Electrical Specifications (TA=+25Deg.C, 50Ω system)**

NO	ITEM	UNIT	VALUE
1	Operating Frequency Range	MHz	2470 ~ 2530
2	Output Power Level	dBm	+3 ± 2
3	Harmonics Level (2 <sup>nd</sup> )	dBc	-20
4	Spurious Level	dBc	-85
5	Phase Noise at offset @ 1kHz at offset @ 10kHz at offset @ 100kHz at offset @ 1000kHz	dBc/Hz dBc/Hz dBc/Hz dBc/Hz	-70 -100 -118 -138
6	Load Impedance	Ω	50
7	Input Capacitance	pF	27
8	Tuning Voltage	V	+0.5 ~ +5.0
9	Tuning Sensitivity (Typ.)	MHz/V	30
10	Supply Voltage	Vdc	+5±0.25
11	Current Consumption (Typ.)	mA	25
12	Pushing	MHz/V	< 1.0
13	Pulling (VSWR = 1.5 : 1 All phase)	MHz	< 1.5
14	3dB Modulation Bandwidth.	MHz	40 Typ.
15	Operating Temp. Range	°C	-40 ~ +85

**Dimensions**

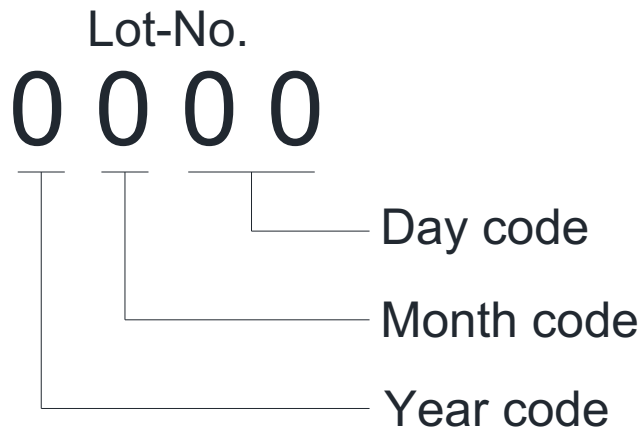


SEE DETAIL "A"



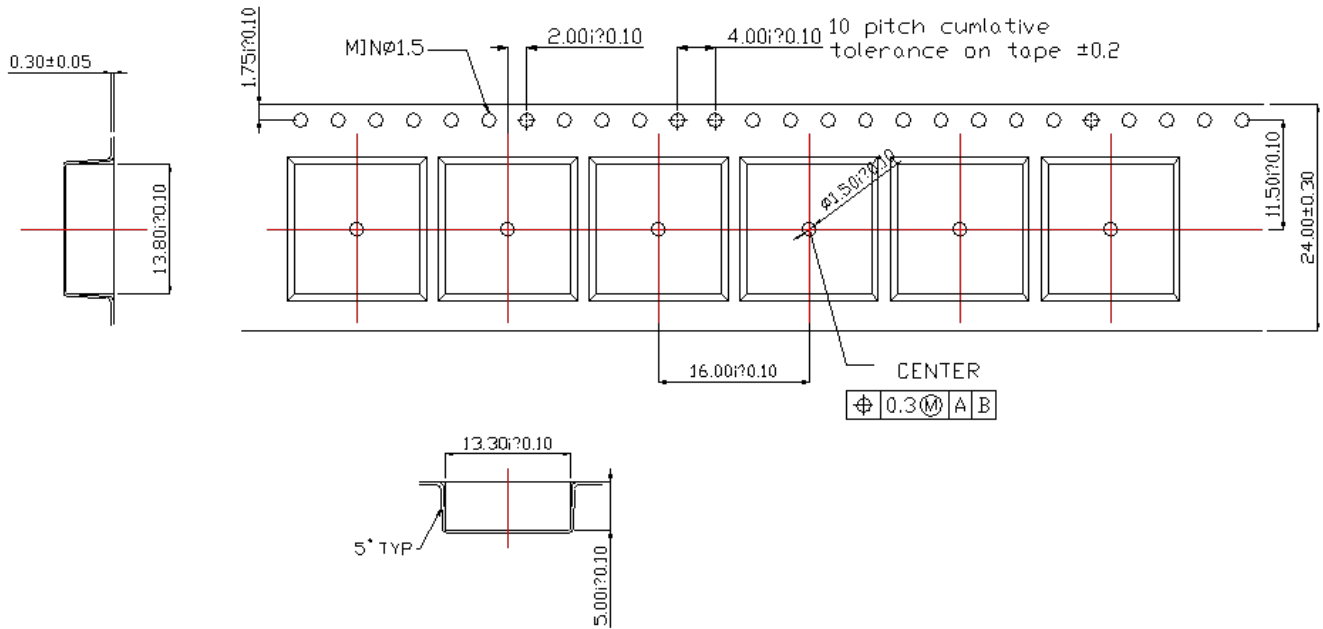
DETAIL "A"

[ Unit : mm ]

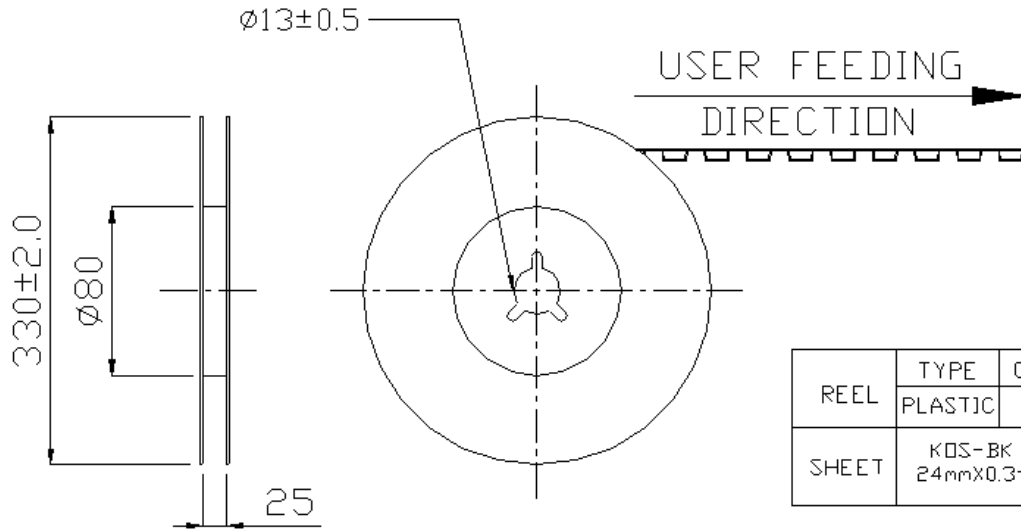


**Packing**

Terminal Connection	
Pin NO	Terminal NAME
2	Control Voltage
10	RF Output
14	Power Supply
All Other Pins are Ground	



**Taping**



REEL	TYPE	COLOR	HUB	SIZE
	PLASTIC	!	80	330
SHEET	KOS-BK 24mmX0.3t	POCKET COUNTER	750 POCKET	

**REEL DIMENSION**

**Reel**