

Features:

- Hybrid Integrated Circuit
- Surface Mounted Device Type
- Shield Case : Nickel Silver
- 16PIN Type

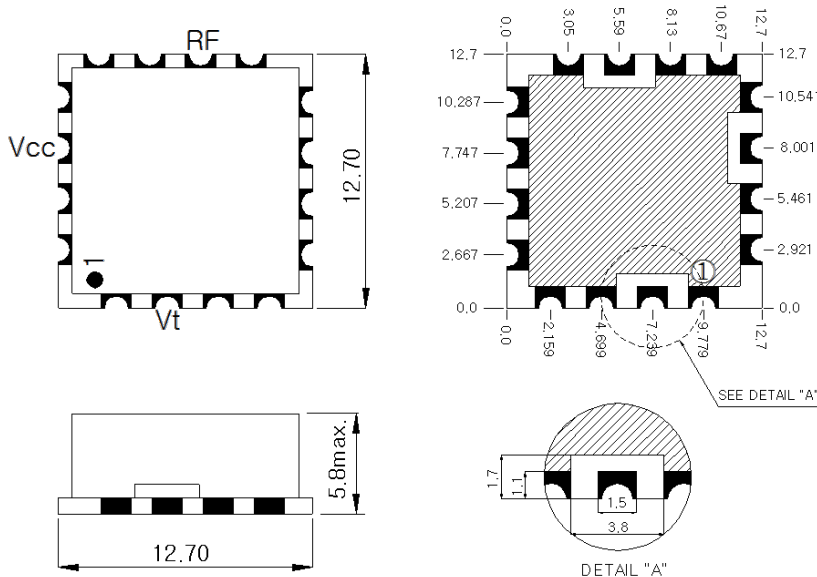


ELECTROSTATIC SENSITIVE DEVICE
OBSERVE HANDLING PRECAUTIONS

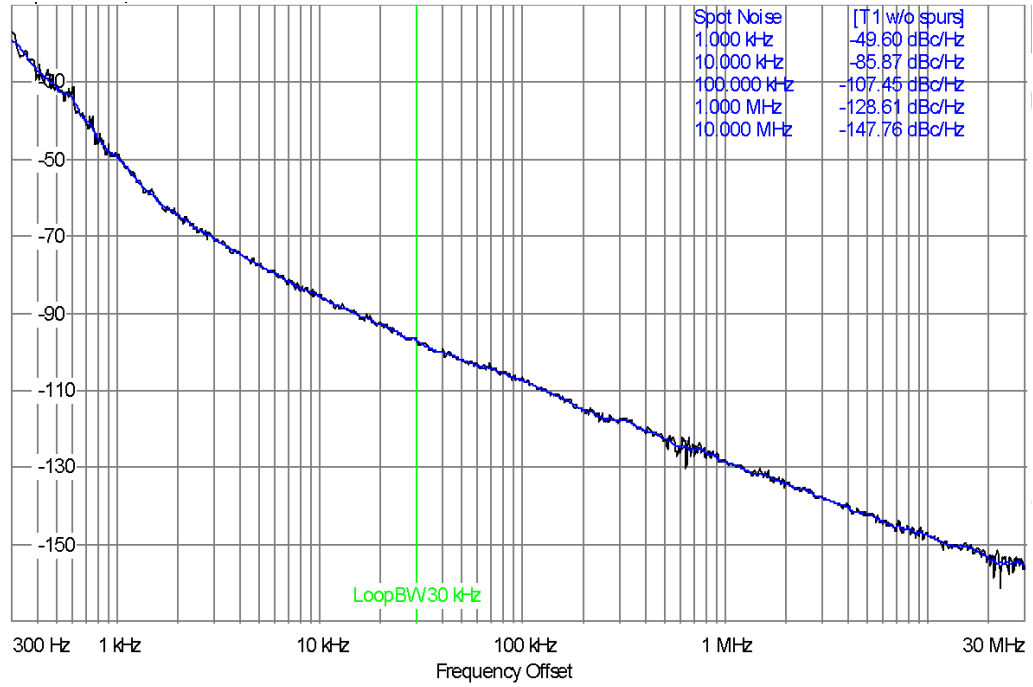
Electrical Specifications (TA=+25Deg.C, 50Ω system)

NO	ITEM	UNIT	VALUE
1	Operating Frequency Range	MHz	5300 ~ 5900
2	Output Power Level	dBm	+0 ± 3
3	Harmonics Level (2 nd)	dBc	-20
4	Spurious Level	dBc	-80
5	Phase Noise at offset @ 10kHz at offset @ 100kHz at offset @ 1000kHz	dBc/Hz dBc/Hz dBc/Hz	-85 -107 -128
6	Load Impedance	Ω	50
7	Input Capacitance	pF	47
8	Tuning Voltage	V	+0.5 ~ +20.0
9	Tuning Sensitivity (Typ.)	MHz/V	70
10	Supply Voltage	Vdc	+5±0.25
11	Current Consumption (Typ.)	mA	35
12	Pushing	MHz/V	< 2.0
13	3dB Modulation Bandwidth.	MHz	40Typ
14	Pulling (VSWR = 1.5 : 1 All phase)	MHz	< 5.0
15	Operating Temp. Range	℃	-40 ~ +85

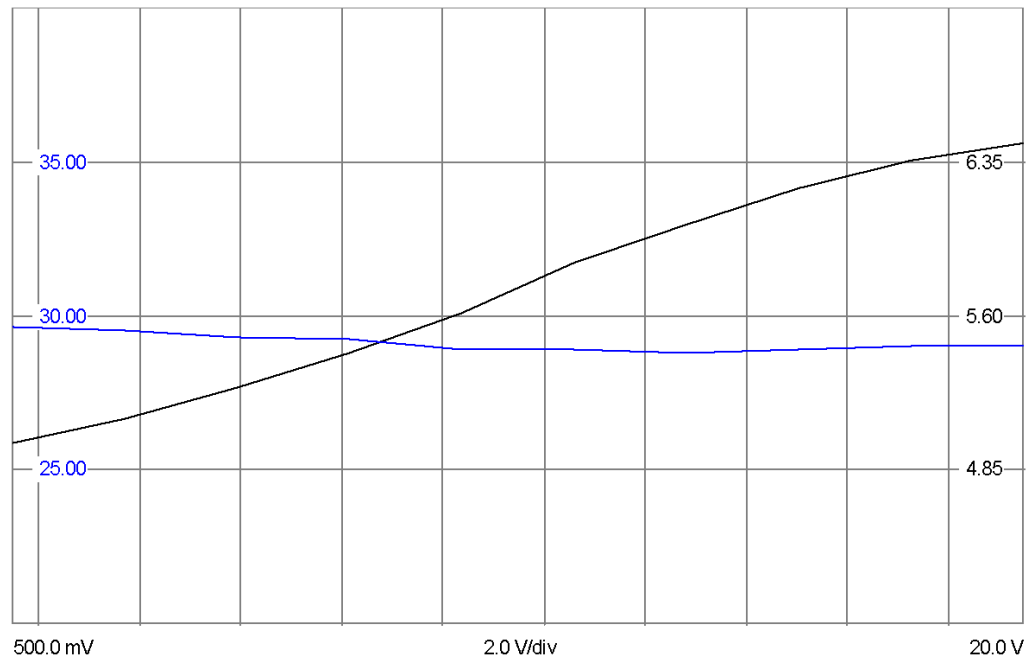
Dimensions



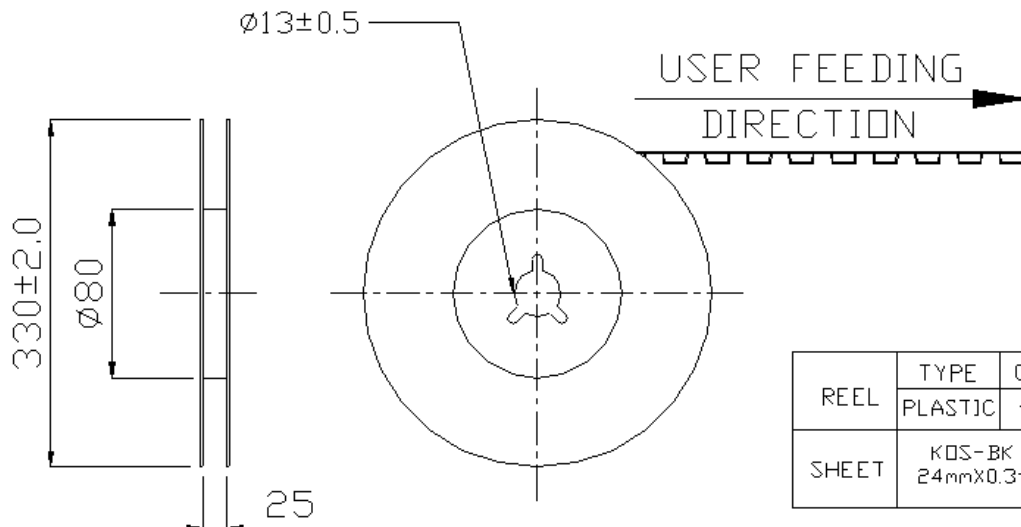
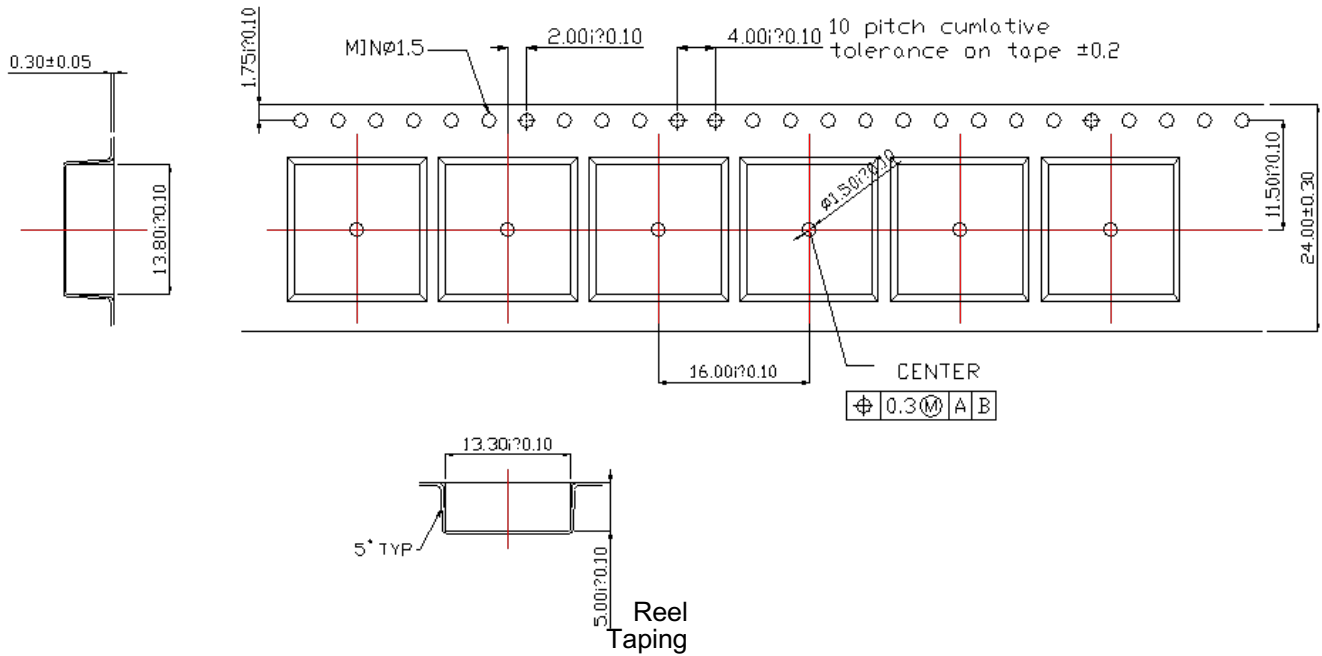
Terminal Connection	
Pin NO	Terminal NAME
2	Control Voltage
10	RF Output
14	Power Supply
All Other Pins are Ground	



CHARACTERISTICS



Packing



REEL	TYPE	COLOR	HUB	SIZE
	PLASTIC	흑, 백색	80	330
SHEET	KOS-BK 24mm×0.3t	POCKET COUNTER	750 POCKET	

REEL DIMENSION