


Features:

- Hybrid Integrated Circuit
- Surface Mounted Device Type
- Shield Case : Nickel Silver
- 16PIN Type

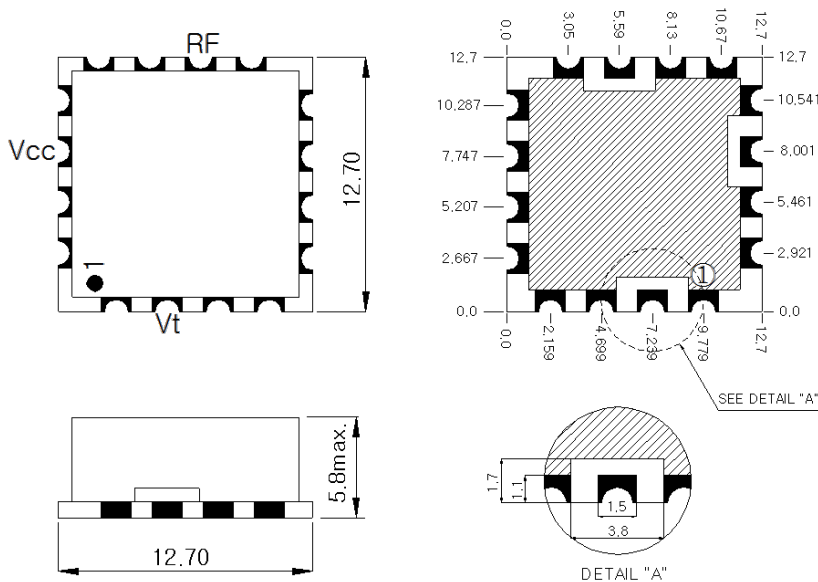


 ELECTROSTATIC SENSITIVE DEVICE
OBSERVE HANDLING PRECAUTIONS

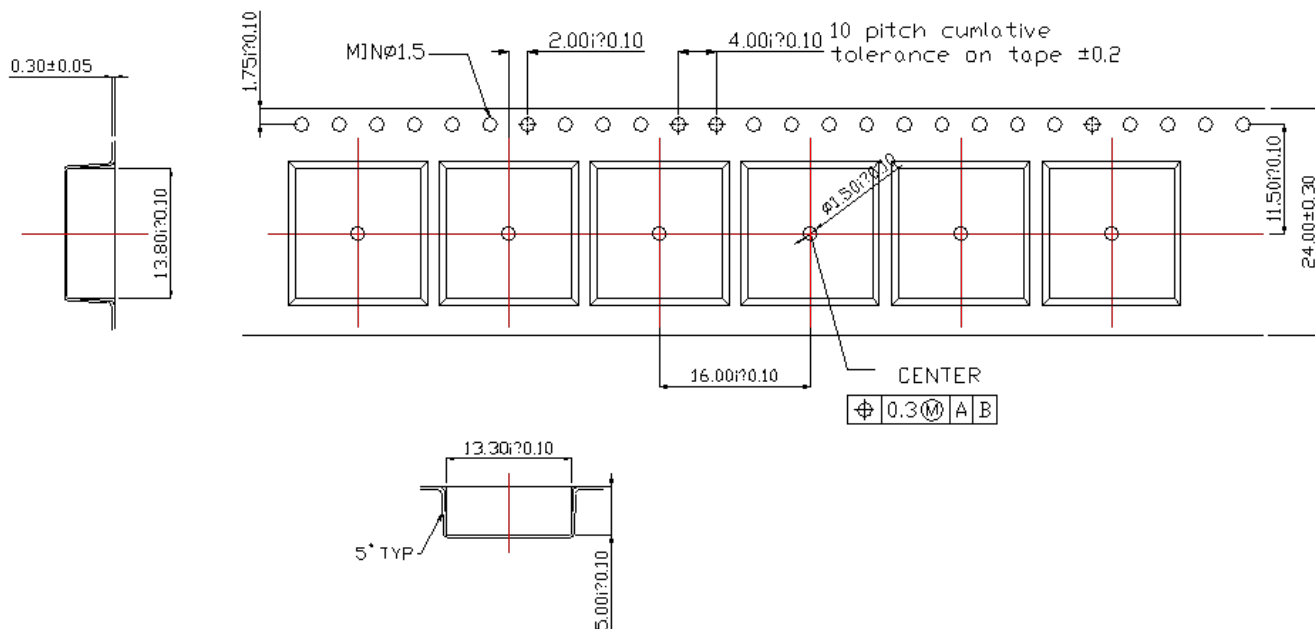
Electrical Specifications (TA=+25Deg.C, 50Ω system)

NO	ITEM	UNIT	VALUE
1	Operating Frequency Range	MHz	2300 ~ 2450
2	Output Power Level	dBm	+4 ± 3
3	Harmonics Level (2 nd)	dBc	-15
4	Spurious Level	dBc	-85
5	Phase Noise at offset @ 10kHz at offset @ 100kHz at offset @ 1000kHz	dBc/Hz dBc/Hz dBc/Hz	-102 -125 -140
6	Load Impedance	Ω	50
7	Input Capacitance	pF	22
8	Tuning Voltage	V	+0.5 ~ +4.5
9	Tuning Sensitivity (Typ.)	MHz/V	50
10	Supply Voltage	Vdc	+5±0.25
11	Current Consumption (Typ.)	mA	35
12	Pushing	MHz/V	< 1.0
13	Pulling (VSWR = 1.5 : 1 All phase)	MHz	< 1.5
14	Operating Temp. Range	°C	-40 ~ +85

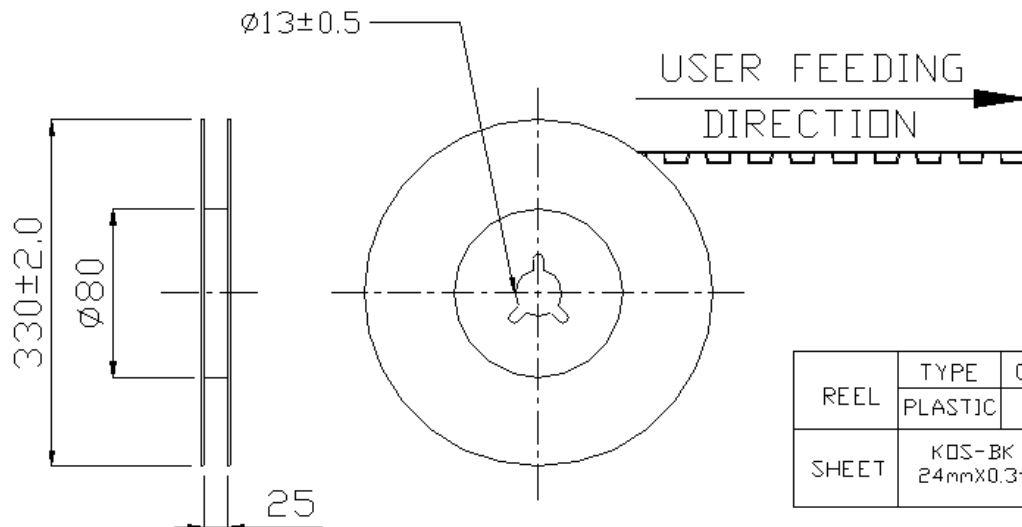
Dimensions



Terminal Connection	
Pin NO	Terminal NAME
2	Control Voltage
10	RF Output
14	Power Supply
All Other Pins are Ground	



Packing



REEL	TYPE	COLOR	HUB	SIZE
	PLASTIC		80	330
SHEET	K05-BK 24mm×0.3t	POCKET COUNTER	750 POCKET	

REEL DIMENSION

Taping