

HD34494

Voltage Controlled Oscillator

Features:

- Hybrid Integrated Circuit
- Surface Mounted Device Type
- Shield Case : Nickel Silver
- 16PIN Type



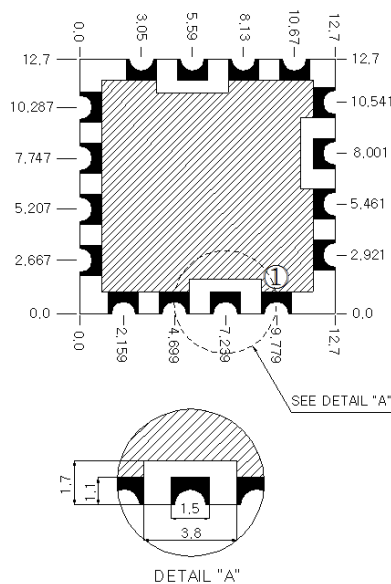
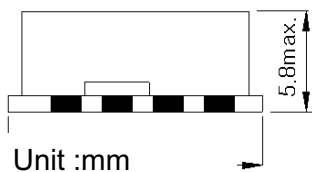
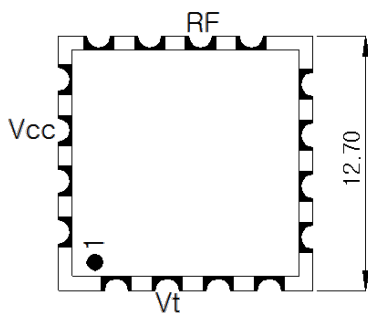
Electrical Specifications (TA=+25Deg.C, 50Ω system)



ELECTROSTATIC SENSITIVE DEVICE
OBSERVE HANDLING PRECAUTIONS

NO	ITEM	UNIT	VALUE
1	Operating Frequency Range	MHz	2748 ~ 2952
2	Output Power Level	dBm	+5 ± 2
3	Harmonics Level (2 nd)	dBc	-15
4	Spurious Level	dBc	-85
5	Phase Noise at offset @ 1kHz at offset @ 10kHz at offset @ 100kHz at offset @ 1000kHz	dBc/Hz dBc/Hz dBc/Hz dBc/Hz	-75 -100 -122 -142
6	Load Impedance	Ω	50
7	Input Capacitance	pF	27
8	Tuning Voltage	V	+0.5 ~ +4.5
9	Tuning Sensitivity (Typ.)	MHz/V	80
10	Supply Voltage	Vdc	+5±0.25
11	Current Consumption (Typ.)	mA	35
12	Pushing	MHz/V	< 1.0
13	3dB Modulation Bandwidth.	MHz	40Typ
14	Pulling (VSWR = 1.5 : 1 All phase)	MHz	< 1.5
15	Operating Temp. Range	°C	-40 ~ +85

Dimensions

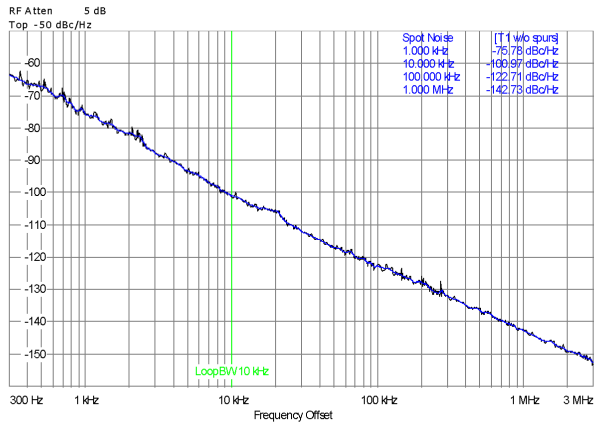


Terminal Connection	
Pin NO	Terminal NAME
2	Control Voltage
10	RF Output
14	Power Supply
All Other Pins are Ground	

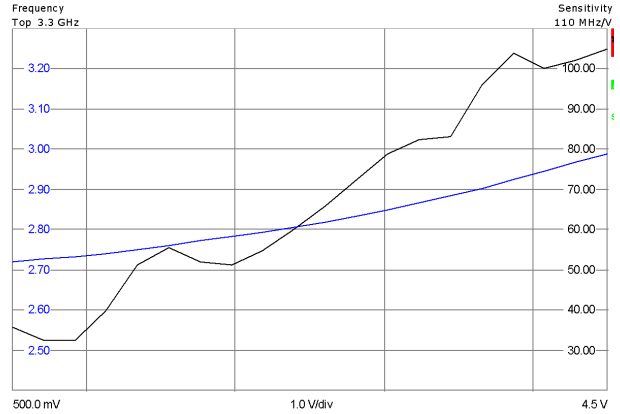
HD34494

Voltage Controlled Oscillator

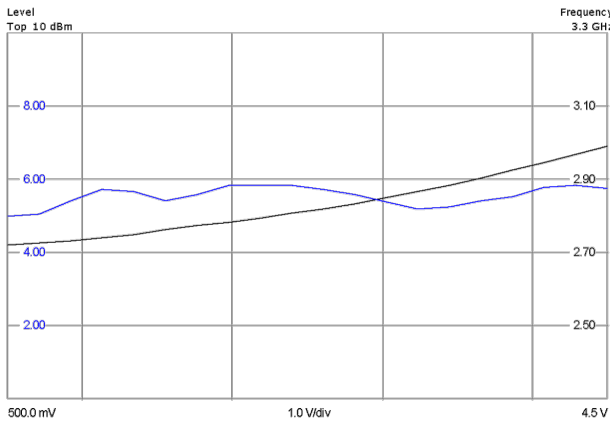
CHARACTERISTICS



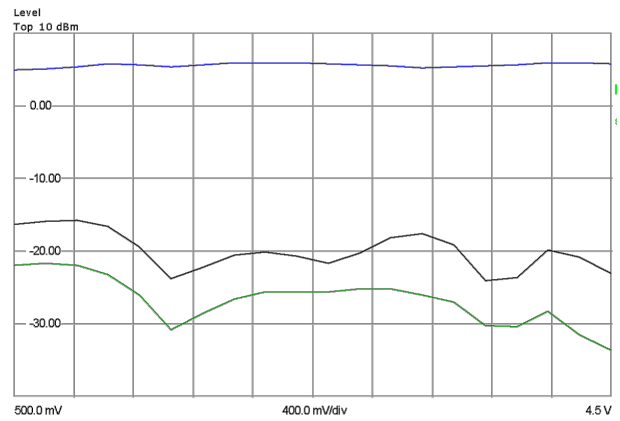
PHASE NOISE



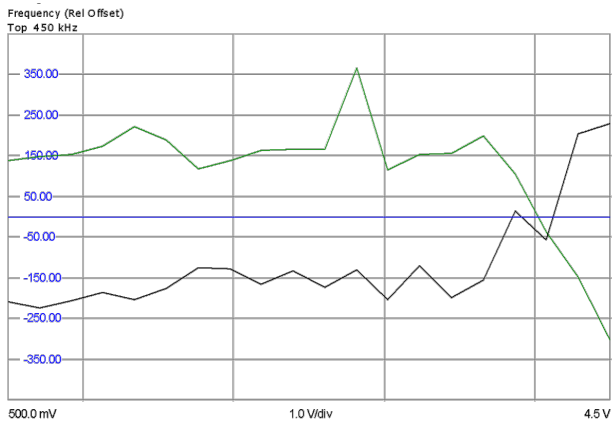
FREQUENCY & SENSITIVITY



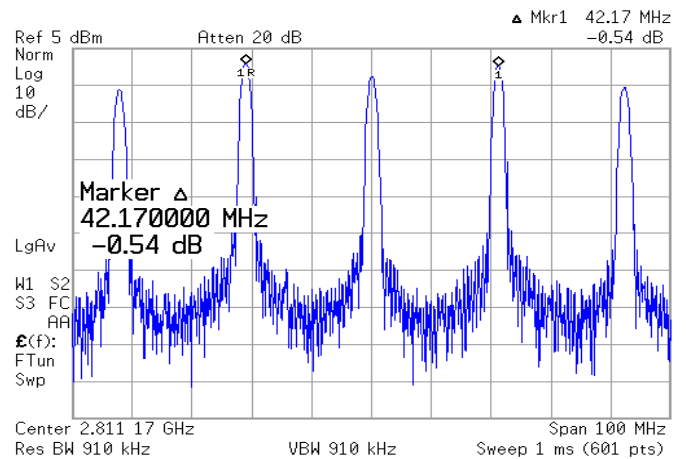
SENSITIVITY & POWER LEVEL



HARMONICS



PUSHING



3dB MODULATION BANDWIDTH

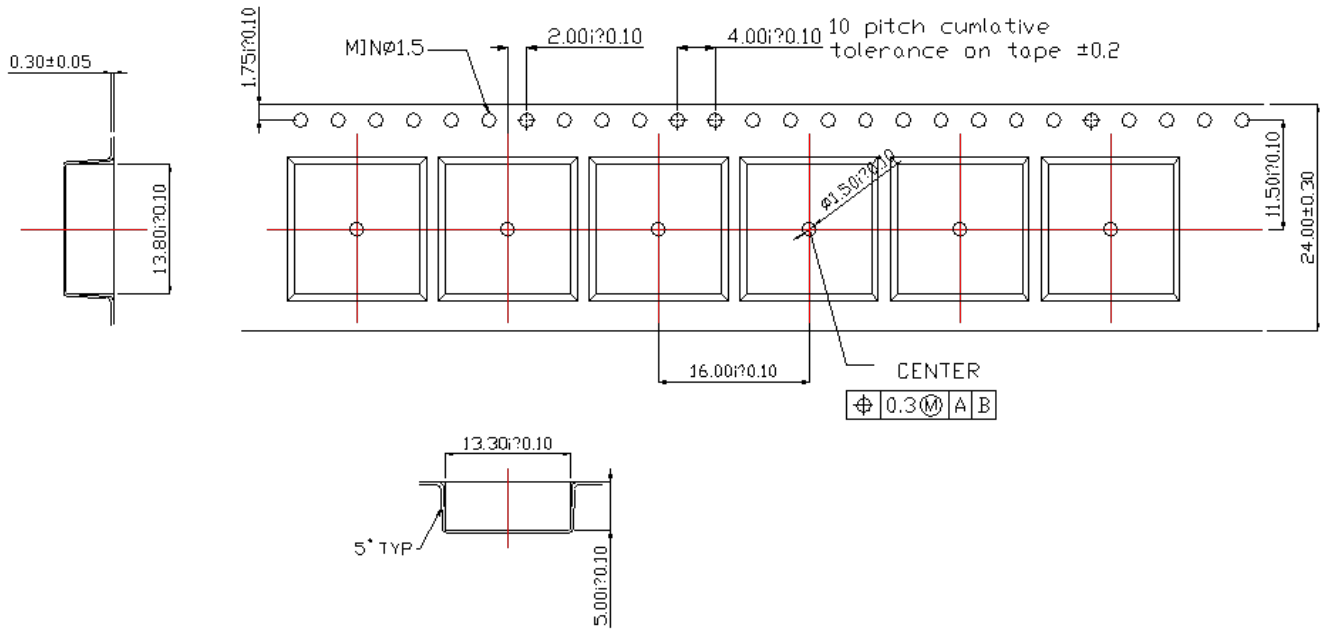
338 Jericho Tpke. Ste 387, Syosset, NY 11791
Tel: (631) 588-3877 Email: sales@hdcom.com

© COPYRIGHT 2008-2023 HD Communications Corp.

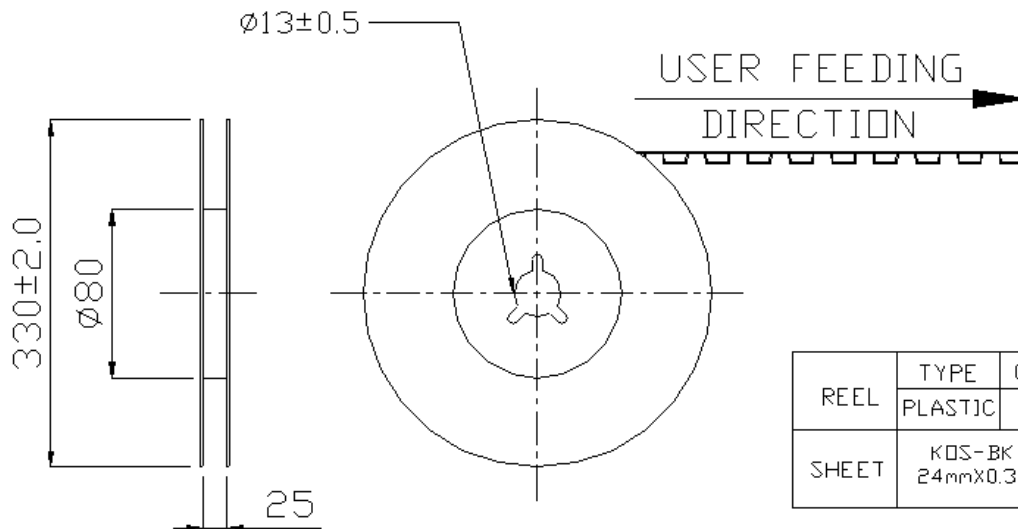
All rights reserved. Redistribution or republication of these pages in any form requires express written consent.

HD34494

Voltage Controlled Oscillator



Packing



REEL	TYPE	COLOR	HUB	SIZE
	PLASTIC	흑, 백색	80	330
SHEET	KOS-BK 24mmx0.3t	POCKET COUNTER	750 POCKET	

REEL DIMENSION

Taping
Reel

338 Jericho Tpke. Ste 387, Syosset, NY 11791
Tel: (631) 588-3877 Email: sales@hdcom.com

© COPYRIGHT 2008-2023 HD Communications Corp.

All rights reserved. Redistribution or republication of these pages in any form requires express written consent.