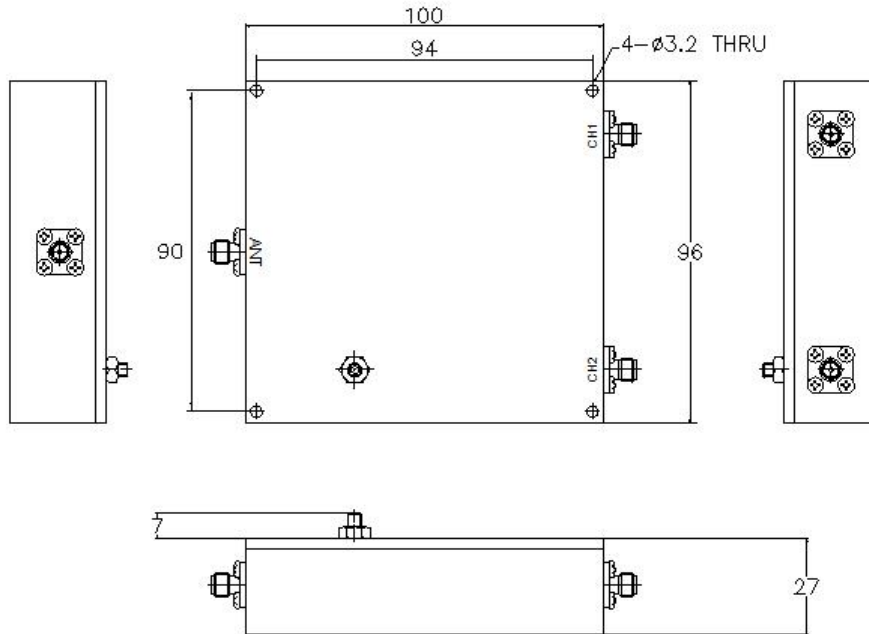


PRODUCT SPECIFICATION FOR INFORMATION

- Product Name : RSNS DIPLEXER
- Part No : HD34205



1. Channel 1 : 2500~2570MHz
2. Channel 2 : 2620~2690MHz
3. Insertion Loss : 1.5dB Max.
4. Return Loss : 12dB Min.
5. Rejection Ch 1 : 70dBc Min.@ 2620~2690MHz
6. Rejection Ch 2 : 70dBc Min.@ 2500~2570MHz
7. Impedance : 50Ω
8. Input Power : 20W CW Max.
9. Connectors : 3 X SMA Female
10. Size : 100 X 96 X 27mm Max.
11. Finish : White Epoxy Paint per MIL-PRE-22750F
12. Operating Temperature Range : -30 ~ +60°C

13. Storage Temperature Range : -40 ~ 90°C

■ Test Curves



Channel#1 – I/L, R/L, Rejection



Channel#2 - I/L, R/L, Rejection