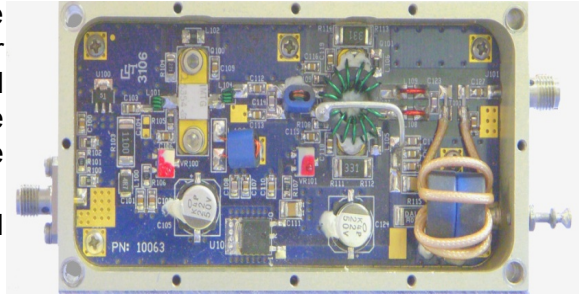


HD28652
400-1000 MHz – 20W
Solid State Broadband
High Power Pallet Amplifier

The HD28652 is a 10W pallet amplifier for the 400-1000 MHz band. This Class A/AB pallet amplifier utilizes three LDMOS gain stages providing typical power gain of 43 dB at 10 Watts. A Quadrature combined output provides an excellent match for the pallet when integrating into a 50 ohm system making HD28652 is the natural choice your broadband requirements.



Specifications

(Vsupply=+28V Vdc, Idq=2.5A, T_{Base}=25°C)

Parameter	Min.	Typ	Max.	Unit
Frequency	400		1000	MHz
Pout P1dB	15	20		Watts
Gain	42	44		dB
Power In		0.8	1.3	mW
Drain Current Pout=15W		3.8		Amps
Input VSWR		1.3:1	1.5:1	
2 nd Harmonic		-30	-16	dBc
3 rd Harmonic		-40	-30	dBc
Baseplate Operating Temp.	0		+60	°C
Size	2.5"x6.0"x0.7"			

Features

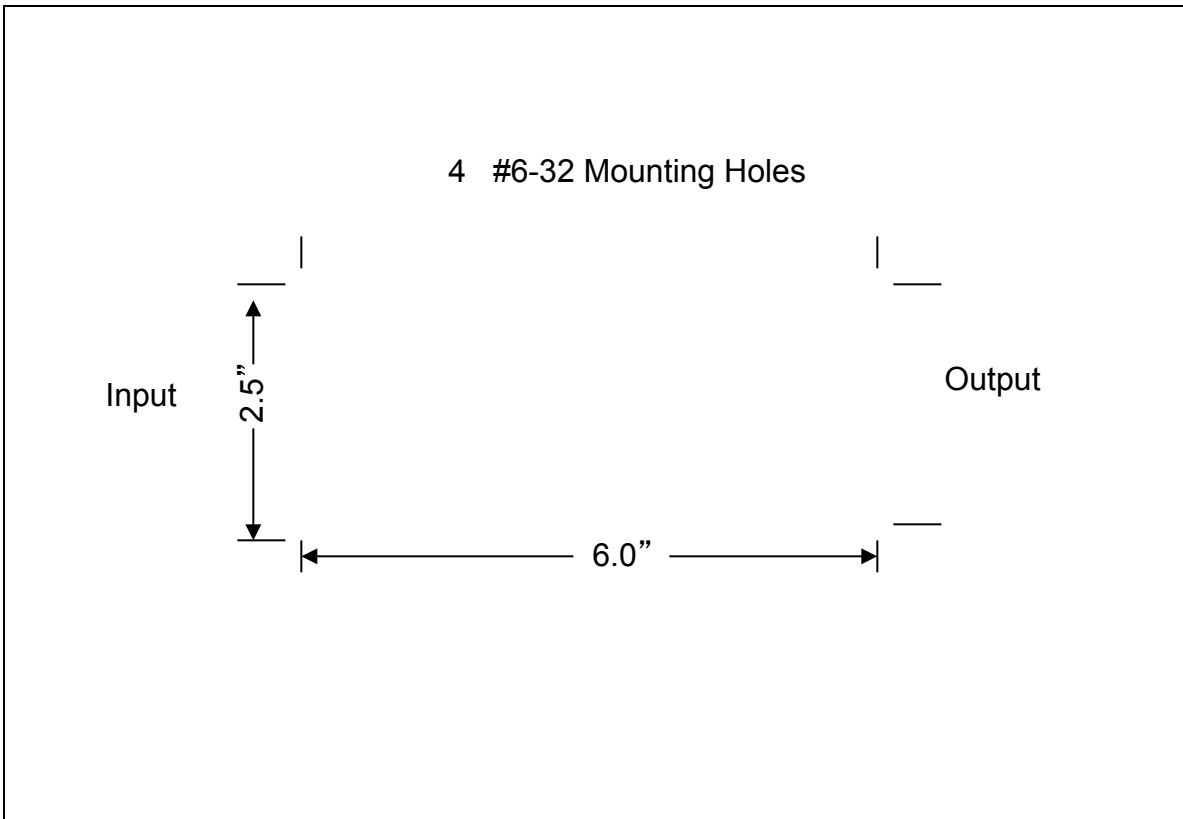
- 20 Watts Class A/AB
- 50 ohms input/output
- No circuit tuning or RF assembly

Maximum Ratings

Parameter	Value
Input Voltage	+30 VDC
Bias Current	2.5 Amp
Drain Current	5.0 Amp
Load Mismatch	5:1 All Phase angles, current limited to 5.0 A
Baseplate Temp	+60°C
Storage Temp	-40° - +105°C

HD Communications Corp.
332-C Dante Ct. Holbrook NY 11741
Tel: (631) 588-3877 Fax: (631) 648-0518 Email: sales@hdcom.com

Reference Circuit



Reference circuit size (not to scale)